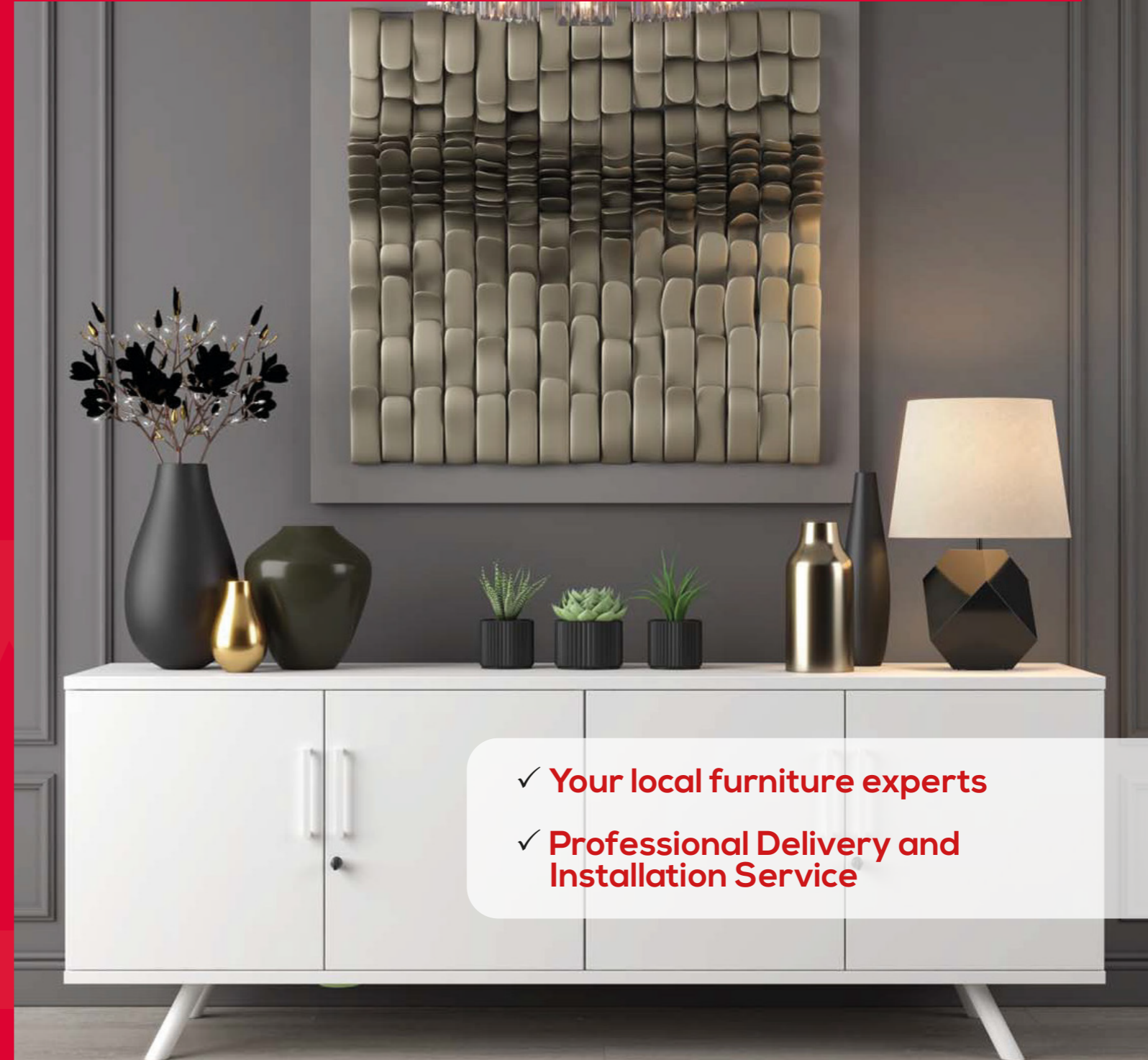


Flare Storage



- ✓ **Your local furniture experts**
- ✓ **Professional Delivery and Installation Service**

☎ 0333 344 4987
✉ sales@taavetti.co.uk

www.taavetti.co.uk



Like Us

For all Enquiries please
telephone **0333 344 4987** or email sales@taavetti.co.uk

www.taavetti.co.uk

Features:

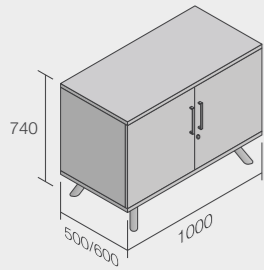
- 500mm and 600mm deep storage units.
- 2/3/4 Hinged door storage unit options.
- Lockable, includes 2 x keys.
- All units supplied with 1 piece 25mm top and bottom panel.
- Alternative handles available.
- Additional shelves available.
- Mini Bar Fridge cutouts available on 600mm deep units.





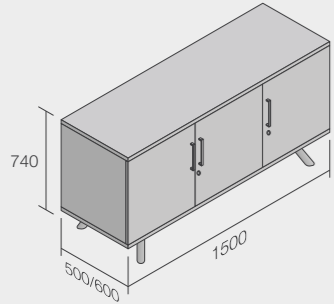


Specifications.



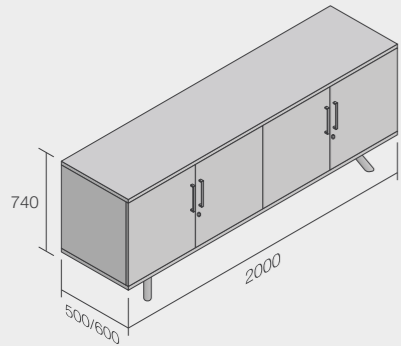
Flare 2 Door Storage Unit

- 2 Doors - 1 x Adjustable Shelf - 1000w x 500d x 740h
- 2 Doors - 1 x Adjustable Shelf - 1000w x 600d x 740h *



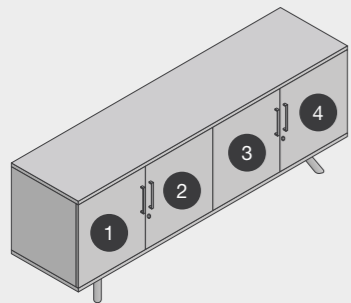
Flare 3 Door Storage Unit

- 3 Doors - 2 x Adjustable Shelves - 1500w x 500d x 740h
- 3 Doors - 2 x Adjustable Shelves - 1500w x 600d x 740h *



Flare 4 Door Storage Unit

- 4 Doors - 2 x Adjustable Shelves - 2000w x 500d x 740h
- 4 Doors - 2 x Adjustable Shelves - 2000w x 600d x 740h *



Cut-Out for Fridge

- Applies a cut-out to the chosen back section of the 600d unit only and extra panels are added to divide the remaining internal space.
- To apply a fridge cut-out to the 600d Boardroom Storage Unit, suffix to your chosen unit and refer to the '1234' guide (left).
- Section numbers always start from left-hand section.
 - Cut-Out in Section 1
 - Cut-Out in Section 2
 - Cut-Out in Section 3
 - Cut-Out in Section 4

* Cutouts available on 600mm deep units for:

- Elite Mini Bar Fridge

Features:

- White.
- 43 litre cooling capacity.
- Ice cube compartment.
- Drip tray.
- Adjustable shelf.
- Bottle rack.
- Energy rating of "A+".
- Noise level of 41 db (A).
- Manual defrost.
- 1 Year manufacturers warranty.



Environmental.



We are a proud PEFC member

Programme For The Endorsement Of Forest Certification (PEFC)

PEFC is the world's largest forest certification organisation.

PEFC is dedicated to promoting Sustainable Forest Management through independent third-party certification.

PEFC expands forest certification globally through its unique bottom-up approach to certification and is the certification system of choice for family and community-owned forests.

PEFC are an international non-profit, non-governmental organisation devoted to ensuring that forests are managed according to environmental, social and economic criteria.



Our Plastic Awareness Policy.

We adhere to our Circular Economy business model that aims to deliver 100% recyclability.

The use of recycled plastic in place of virgin resin typically results in reduced energy consumption, lower cost, and reduced environmental impact.

Our Flare Storage Unit products permits all plastic components to be recycled through curbside programs. The following illustrates what type of plastic is used and its recyclable properties.

WHAT WE USE	RESIN TYPE	RESIN ID CODE
MDF Panel Edging. Height Adjustable Feet.	Acrylonitrile Butadiene Styrene. Polypropylene.	(ABS) 9 (PP) 5
Packaging Materials:		
Packaging Cling Film.	Low Density Polythene.	(LDPE) 4



Low Density Polyethylene (LDPE)

LDPE is not often recycled through curbside programs, but some communities will accept it.



Polypropylene (PP)

Can be recycled through some curbside programs.



Acrylonitrile-Butadiene-Styrene (ABS)

ABS is recycled by first shredding used plastics to produce shredded plastics. After this step, metals and undesirable plastics are separated from the shredded plastics to produce separated plastics.

Handle Suites.

Handle metalwork colours are available as follows:

Standard Colours: Silver RAL 9006 (Standard), Black Graphite RAL 9004 and White RAL 9003.

Premium Colours: Raw Metalwork, Blue RAL 5001, Coral RAL 2001, Green RAL 6016, Light Grey RAL 7038, Teal RAL 5018 and Yellow RAL 1021 (Contact sales for pricing).



Standard Metal Handle.

Supplied as standard.
160mm centres.
166mm wide x 10mm deep x 25mm high.
Code: STD



Metal Flush Handle.

160mm centres.
200mm wide x 13mm deep x 19mm high.
Code: FLU



Metal T-Bar Handle.

128mm centres.
168mm wide x 10mm deep x 34mm high.
Not retrofittable.
Code: BAR



Metal Slab Handle.

128mm centres.
188mm wide x 10mm deep x 30mm high.
Not retrofittable.
Code: SLB



Metal Bridge Handle.

128mm centres.
140mm wide x 10mm deep x 25mm high.
Not retrofittable.
Code: BRG



Metal Camber Handle.

128mm centres.
155mm wide x 5mm deep x 25mm high.
Not retrofittable.
Code: CAM



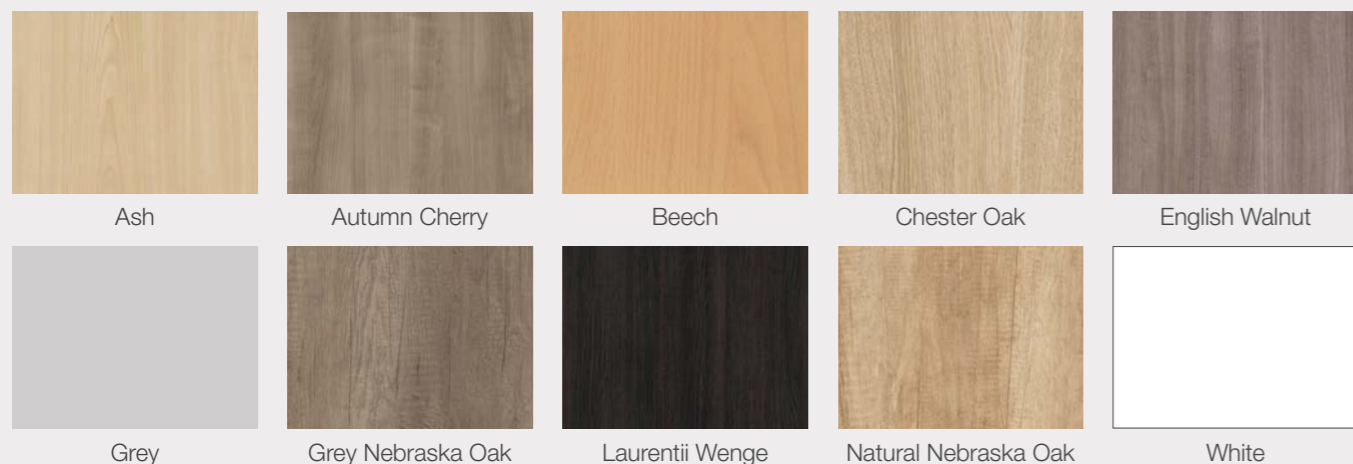
Metal Bow Handle.

128mm centres.
160mm wide x 8mm deep x 26mm high.
Not retrofittable.
Code: BOW

MFC and MDF Finishes.

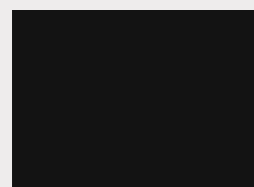
Dual Board MFC Finishes.

The 10 finishes below are our standard MFC finishes.



Nanotech Finishes.

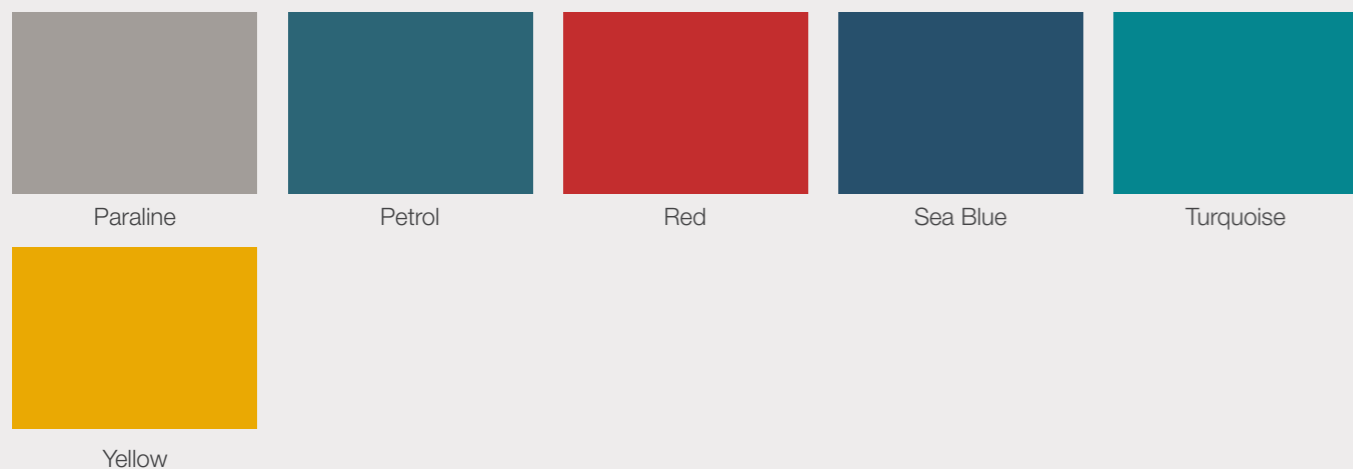
The finish below is our Black Nanotech finish, contact Customer Services for specification, prices and lead time.



Black Matt MDF

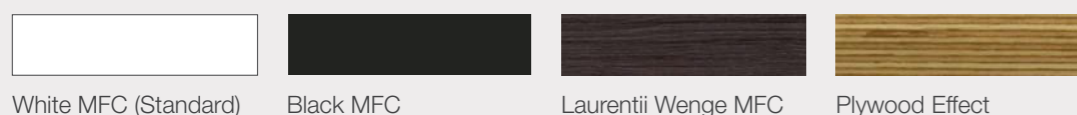
Optional MFC Finishes

The 6 finishes below are non-standard 18mm MFC finishes that can be specified on doors. Matching edging tape. Subject to a 2 week lead time.



White MFC Edging Options

The 4 finishes below are edging options for 25mm white Dual Board MFC only.

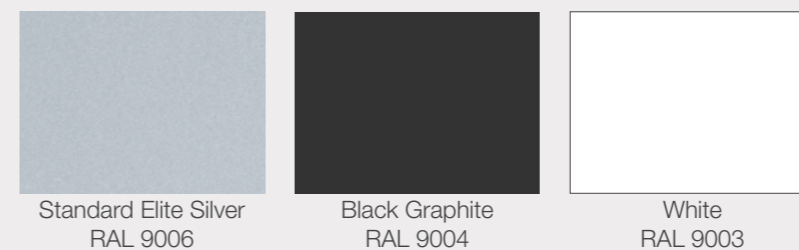


White MFC (Standard) Black MFC Laurentii Wenge MFC Plywood Effect

Metalwork Finishes.

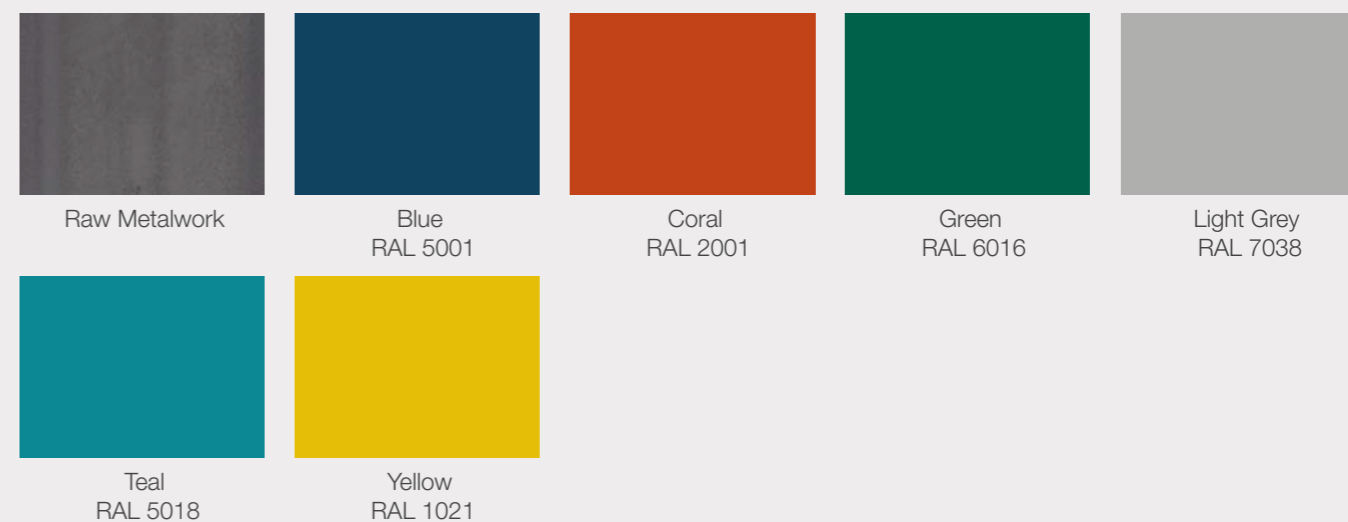
Standard Metal Finishes.

The 3 finishes below are our standard metal finishes.



Non Standard Metal Finishes.

The 7 finishes below are non-standard metalwork finishes. Subject to a 2 week lead time.



Whilst every effort has been made to ensure accurate colours are illustrated in this PDF document, there may be a slight colour difference due to monitors and mobile devices, therefore please refer to our colour sample swatches prior to ordering.

Note: Room props, plants and lighting illustrated in the document not supplied.